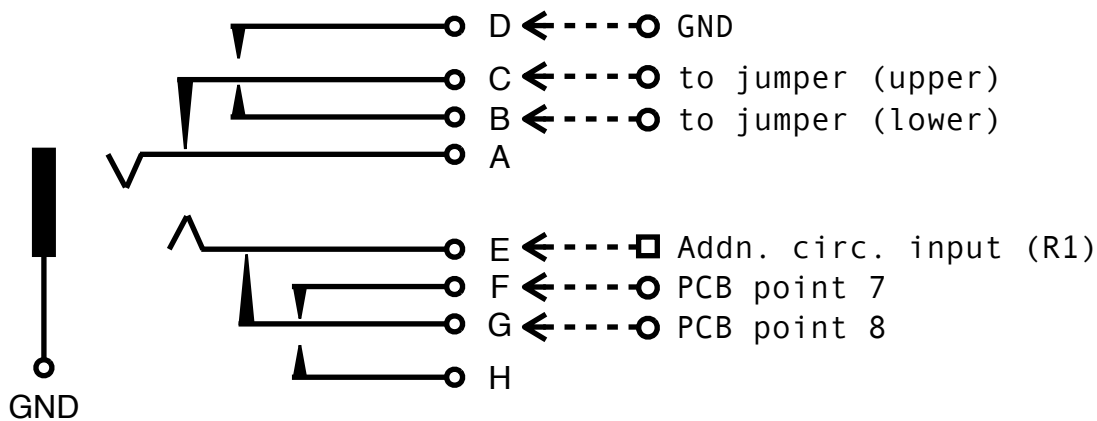
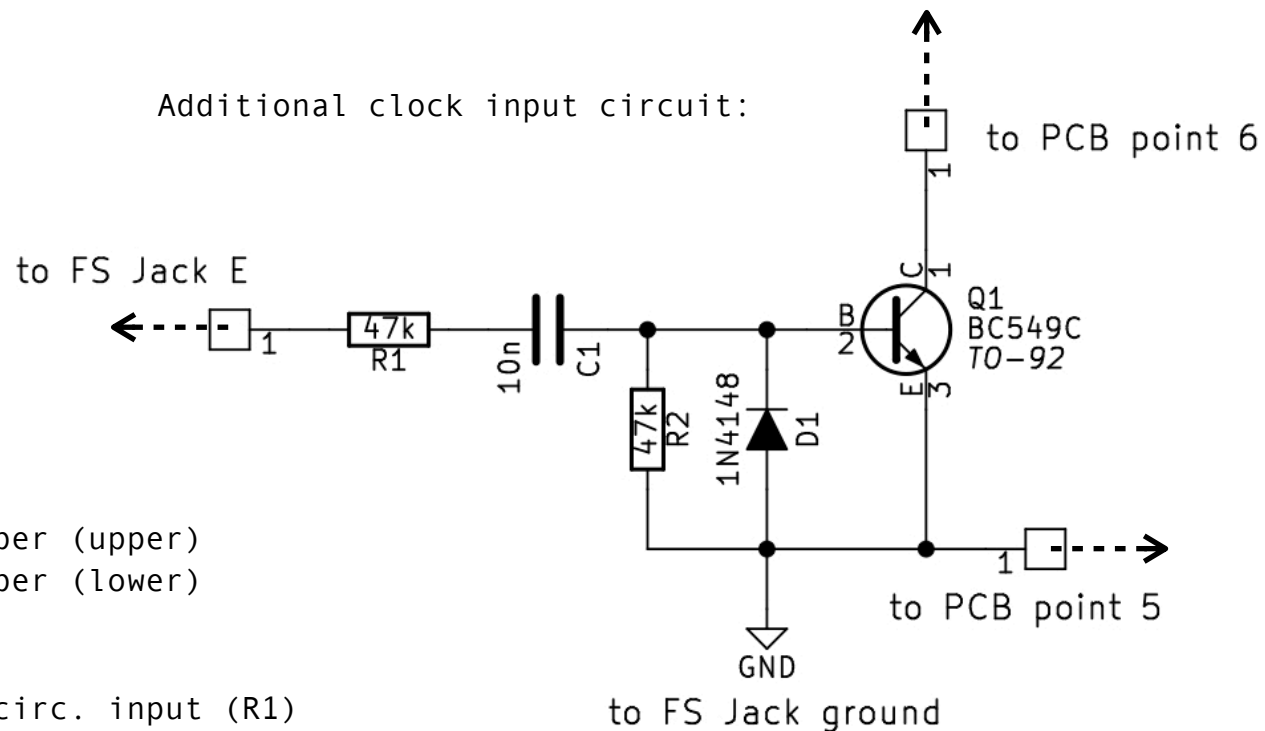


Replacement FS jack socket:



Additional clock input circuit:



Changes to DR-55 PCB:

